

# Energy-Efficient Bearing

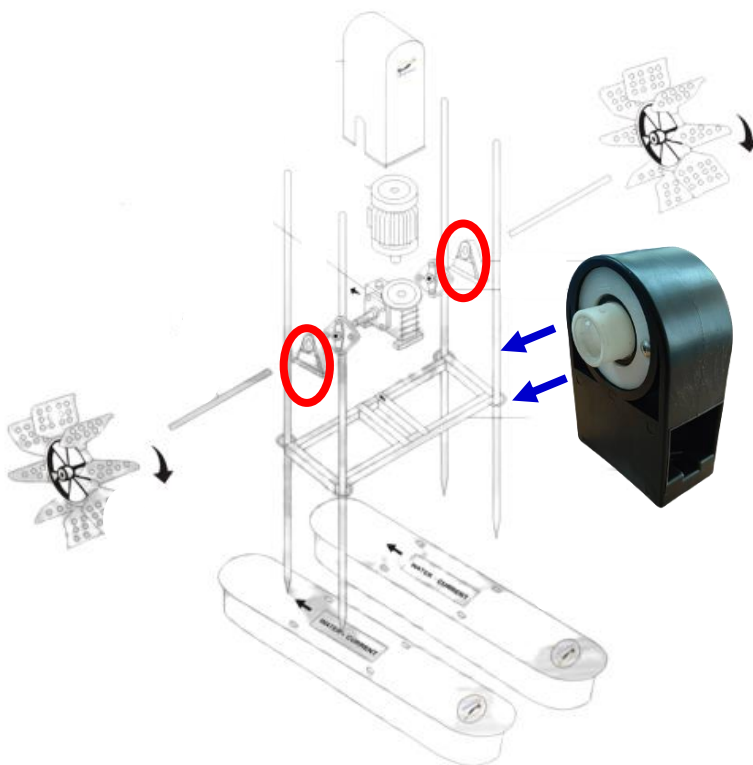
## 省電軸承座

For 1HP / 2HP Paddlewheel Aerator only



- ✚ 7~11% energy saving comparing with traditional bearing
- ✚ Smooth rotation
- ✚ More durable & energy saving
- ✚ Equipped with two sets of deep groove ball bearings
- ✚ Easy to replace and maintenance
- ✚ Material : Industrial Plastic
- ✚ Patented model
- ✚ Reduce the force on the stainless steel shaft, prolong the service life of the motor and reducer

Suitable for 1HP / 2HP aerator only



Pioneer Group  
 Pioneer Asia  
 亞旭國際有限公司  
 Sun Asia Aeration Int'l Co., Ltd.

15F, 7, Ssu-Wei 4 Road, Ling-Ya District,  
 Kaohsiung 80247, Taiwan, R.O.C.

TEL : + 886-7-537-0017

FAX : + 886-7-537-0016

[www.pioneer-tw.com](http://www.pioneer-tw.com)

Email: [sales@pioneer-tw.com](mailto:sales@pioneer-tw.com)

Note : The Manufacturer Reserves The Right To  
 Change Specification Without Prior Notice.

**Installation : The white protrusion faces  
 the direction of the reducer**